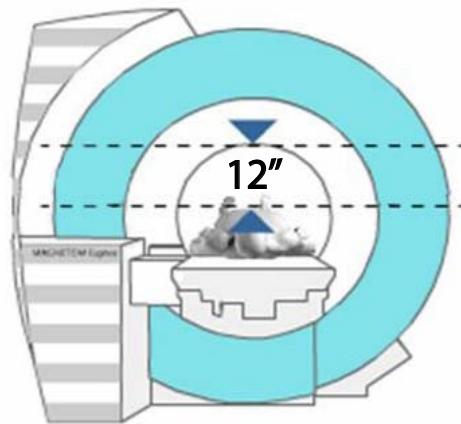
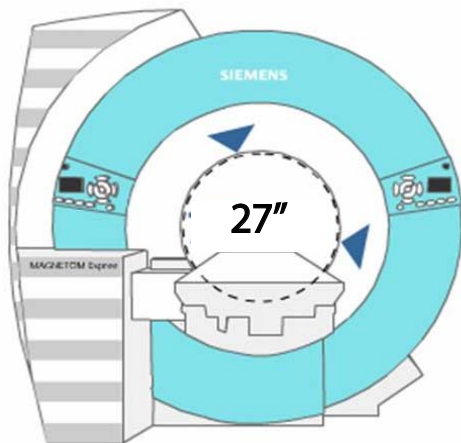


Espree vs. Low and Mid-Field Open MRI Scanners From a Patient's View

High-Field Espree MRI

Magnet strength: 1.5



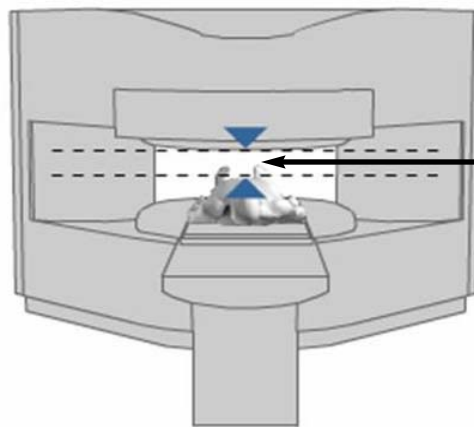
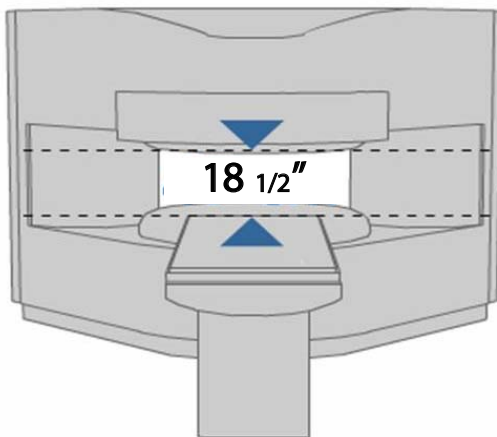
One Foot of Headroom!



Larger opening = more headroom
Stronger Magnet = extremely high level of detail and clarity

Mid-Field Open

Magnet strength: 0.7



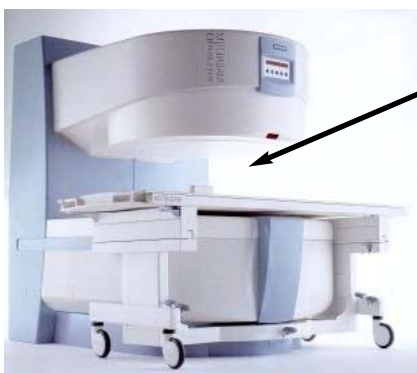
Shorter distance from face to scanner.

Lower magnet strength results in:

- Less image detail and clarity
- Longer scan times

Low-Field Viva MRI

Magnet strength: 0.2



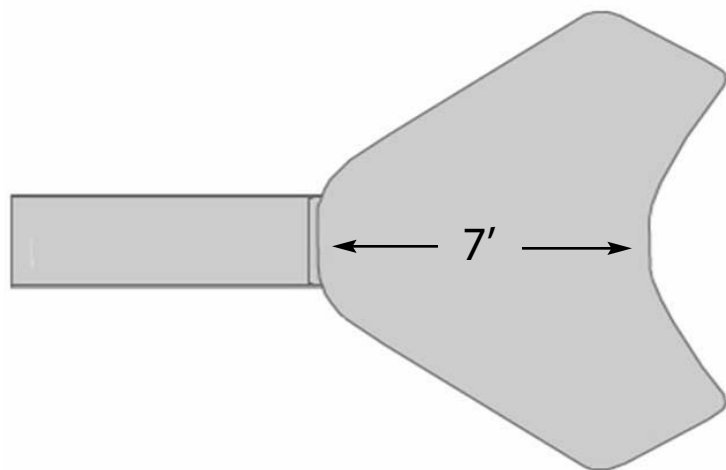
Opening size without patient: 15 1/2"

Distance from face to scanner: 4 1/2"

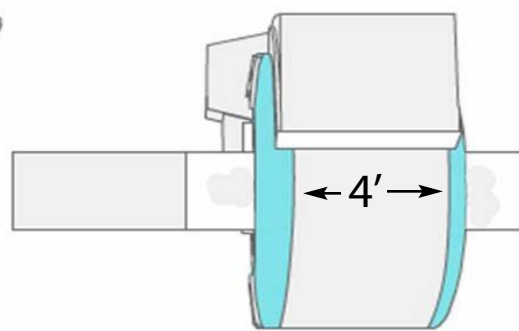
Low-field magnet strength results in:

- Less image detail and clarity
- Longer scan times

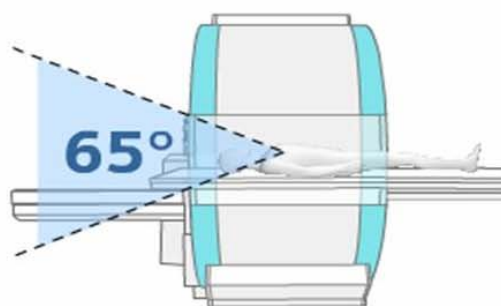
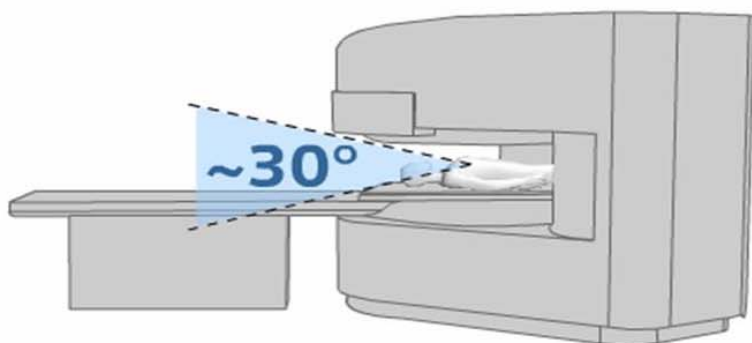
Overhead view of Low or Mid-Field Open



Overhead view of High-Field Espree



Shorter (narrower) Bore



High-Field Espree MRI



- Heightened comfort
- Shorter exam time
- Higher magnet strength for more detailed and clearer images

The most advanced MRI technology in the region